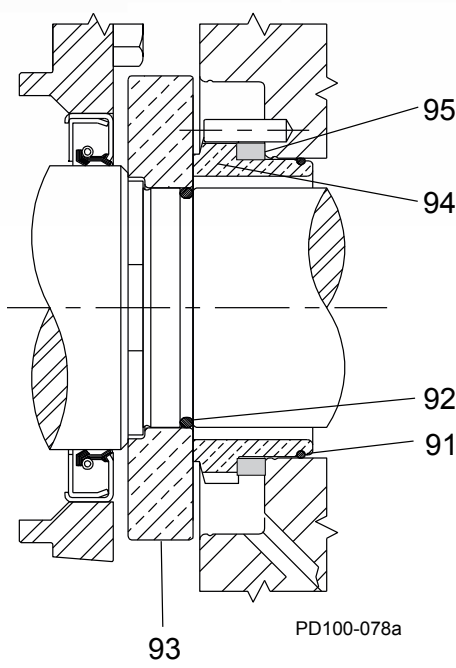
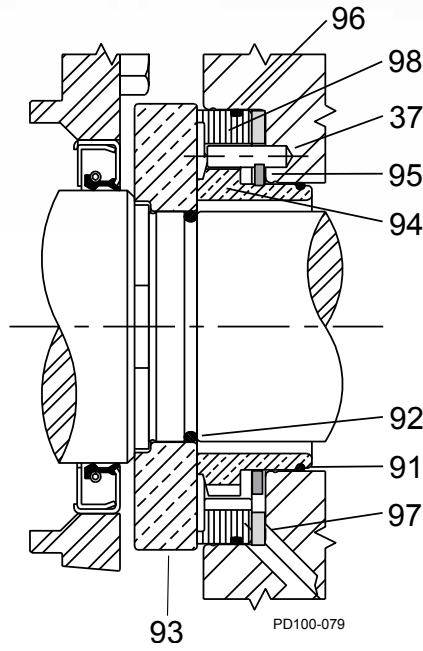




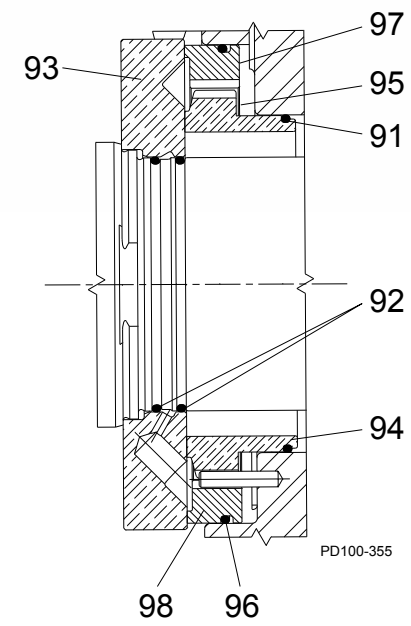
Universal 2 Pump Seal REFERENCE CHART



Standard Single Mechanical Seal



Standard Double Mechanical Seal



Aseptic Design Double Mechanical Seal
(213, 323 Ull ONLY)

UNIVERSAL 2 SEALS

ITEM NO.	DESCRIPTION	QTY. PER PUMP	PART NO. (BY MODEL)					NOTES
			006, 014, 015, 018 Ull	030, 034, 040 Ull	045, 060, 064, 130, 134 Ull	180, 220, 224 Ull	210, 214, 320, 324, 370 Ull	
91	O-Ring, Inner Seal, Buna N*	2	N70028	N70031	N70035	N70041	N70154	
	O-Ring, Body, EPDM*		E70028	E70031	E70035	E70041	E70154	
	O-Ring, Body, FKM*		V70028	V70031	V70035	V70041	V70154	
92	O-Ring, Shaft, Buna N*	2 (See Note 1)	N70024	N70029	N70133	N70145	N70149	1
	O-Ring, Shaft, EPDM*		E70024	E70029	E70133	E70145	E70149	
	O-Ring, Shaft, FKM*		V70024	V70029	V70133	V70145	V70149	
93	Seal Seat, Ceramic*	2	101667+	101670+	101673+	101676+	105416+	
	Seal Seat, Silicon Carbide*		101668+	101671+	101674+	101677+	105417+ 112192+	
94	Seal Inner, Carbon*	2	101651+	101655+	101659+	101663+	105412+	
	Seal Inner, Ceramic*		101652+	101656+	101660+	101664+	105413+	
	Seal Inner, Silicon Carbide*		101653+	101657+	101661+	101665+	105414+	
	Seal Inner, Tungsten Carbide*		101654+	101658+	101662+	101666+	105415+	
95	Wave Spring, Inner Seal	2	101683+	101685+	101687+	101689+	105419+	
96	O-Ring, Outer Seal, Buna N*	2	N70035	N70041	N70043	N70046	N70160	2
	O-Ring, Outer Seal, EPDM*		E70035	E70041	E70043	E70046	E70160	
	O-Ring, Outer Seal, FKM*		V70035	V70041	V70043	V70046	V70160	
97	Wave Spring, Outer Seal	2	101684+	101686+	101688+	101690+	105420+	2
98	Outer Seal, Carbon*	2	101679+	101680+	101681+	101682+	105418+	2

NOTES:
* Recommended Spare Parts
1. Qty. (4) needed per pump on 213-Ull and 323-Ull.
2. Double Mechanical Seal design only.
3. Single Mechanical Seal design only.
4. HPB and NF seals are NOT available on the 213-Ull or 323-Ull.
5. Aseptic 213 and 323-Ull pumps are available only with a double mechanical seal.

SPX FLOW, Inc.
611 Sugar Creek Road
Delavan, WI 53115
P: (262) 728-1900 or (800) 252-5200
F: (262) 728-4904 or (800) 252-5012
E: wcb@spxfllow.com

UNIVERSAL 2 SPECIALTY SEALS

ITEM NO.	DESCRIPTION	QTY. PER PUMP	PART NO. (BY MODEL)					NOTES
			006, 014, 015, 018 Ull	030, 034, 040 Ull	045, 060, 064, 130, 134 Ull	180, 220, 224 Ull	210, 214, 320, 324, 370 Ull	
91	O-Ring, Inner Seal, Buna N*	2	N70028	N70031	N70035	N70041	N70154	
	O-Ring, Body, EPDM*	2	E70028	E70031	E70035	E70041	E70154	
	O-Ring, Body, FKM*	2	V70028	V70031	V70035	V70041	V70154	
92	O-Ring, Shaft, Buna N*	2	N70024	N70029	N70133	N70145	N70149	
	O-Ring, Shaft, EPDM*	2	E70024	E70029	E70133	E70145	E70149	
	O-Ring, Shaft, FKM*	2	V70024	V70029	V70133	V70145	V70149	
93	NF Seal Seat, Silicon Carbide*	2	124743+	124745+	124747+	124749+	124751+	3, 4
	NF Seal Seat, Tungsten Carbide*	2	124744+	124746+	124748+	124750+	124752+	
	HPB Seal Seat, Ceramic*	2	101667+	101670+	101673+	101676+	105416+	2, 4
	HPB Seal Seat, Silicon Carbide*	2	101668+	101671+	101674+	101677+	105417+	
94	NF Seal, Inner, Silicon Carbide*	2	124734+	124736+	124738+	124740+	124742+	3, 4
	NF Seal, Inner, Tungsten Carbide*	2	124733+	124735+	124737+	124739+	124741+	
	HPB Seal, Inner, Silicon Carbide*	2	110821+	110823+	110825+	110827+	110829+	2, 4
	HPB Seal, Inner, Tungsten Carbide*	2	122324+	122325+	122326+	122327+	122328+	
95	Wave Spring, Inner Seal	2	101683+	101685+	101687+	101689+	105419+	
96	O-Ring, Outer Seal, Buna N*	2	N70035	N70041	N70043	N70046	N70160	2
	O-Ring, Outer Seal, EPDM*	2	E70035	E70041	E70043	E70046	E70160	
	O-Ring, Outer Seal, FKM*	2	V70035	V70041	V70043	V70046	V70160	
97	Wave Spring, Outer Seal	2	101684+	101686+	101688+	101690+	105420+	2
98	Outer Seal, Carbon*	2	101679+	101680+	101681+	101682+	105418+	2

To Order Seals or Other Genuine Pump Parts, Contact Your Authorized Waukesha Cherry-Burrell Distributor



Waukesha Cherry-Burrell®

SPX FLOW reserves the right to incorporate our latest design and material changes without notice or obligation.

Design features, materials of construction and dimensional data, as described in this bulletin, are provided for your information only and should not be relied upon unless confirmed in writing. Please contact your local sales representative for product availability in your region. For more information visit www.spxfllow.com. The green ">" is a trademark of SPX FLOW, Inc.